

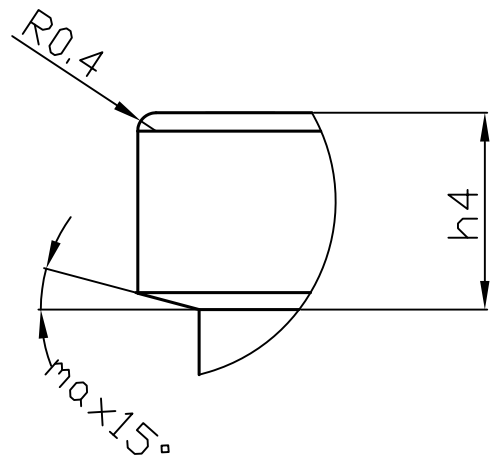
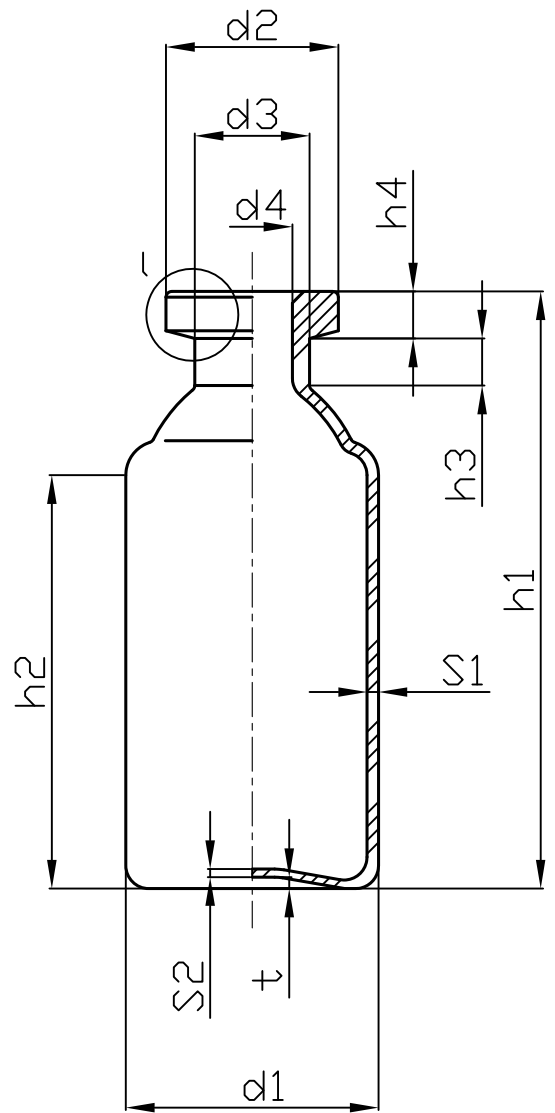
Item 62121iv-10 : 10mL Insulin Vial

SID: SPG

VOIGT GLOBAL DISTRIBUTION INC  
 PO Box 1130, Lawrence, Kansas 66044 USA  
<http://www.voigtglobal.com>  
[sales@vgdinc.com](mailto:sales@vgdinc.com)

CRITERIA	mm	Tolerance
d1	22.0	±0.20
d2	13.0	±0.18
d4	7.0	±0.18
h1	52.0	±0.30
h4	<b>3.7</b>	<b>±0.2</b>
d3	≤10.3	
S1	1.00	±0.04
h3	4.10	±0.20
S2	≥0.7	
h2	≈36.0	
t	≤1.00	

62121iv-10 - construction specifications



						INSULIN VIAL
						62121iv-10